

UX
SERIES



ElectroMech



Electric Rider Stacker

MS15XUX / 1500kg

UX Series - Electric Rider Stacker

MS15XUX / 1500kg

The Yale® electric rider stacker MS15XUX delivers a low cost of operation while increasing user productivity. These robust stackers can optimise vehicle loading and unloading operations, as well as boosting pallet transportation rates over both short and long distances.

Productivity

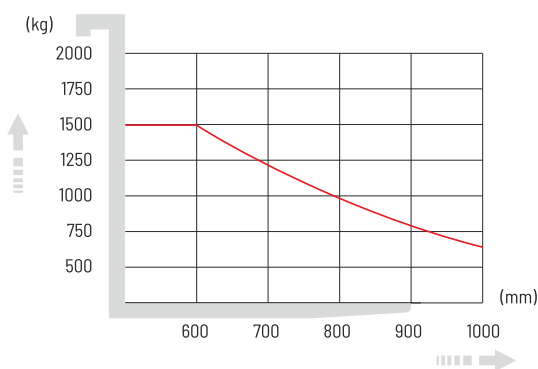
- Maintenance free AC motor
- Multi-function display with BDI and hour meter
- Emergency reversing button
- Auto deceleration function
- Low speed switch
- Variable speed control
- Side battery roll-out system is very convenient to replace batteries
- Mast cushioning for low-noise operation
- Built-in pressure relief valve protects from overloads
- Emergency power disconnect switch
- Cushioned ergonomic platform
- Cold store configuration (option)

Optimum Structural Design

- Low centre of gravity enhances stability
- Full free lift mast options for low overhead clearance
- Durable plastic covers
- Adjustable balance casters improve stability

Load Charts

Load Centre Chart



Serviceability

- Low voltage protection setting extends the battery life
- CANbus technology
- Simple electronic components makes troubleshooting and servicing more efficient
- Hall effect sensors reduce wear and increase component life



Handle (Standard)
(Left & Right Handed)



Fork Lengths to Suit
All Applications

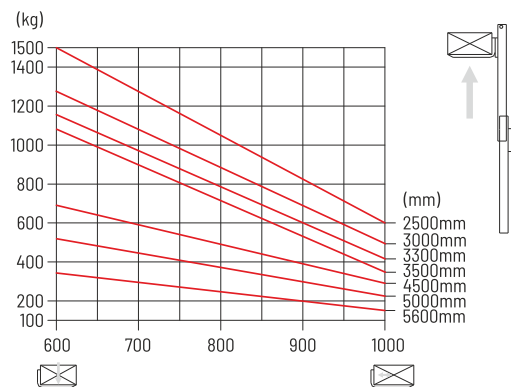


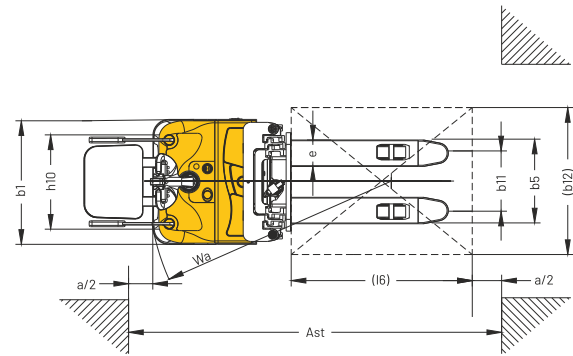
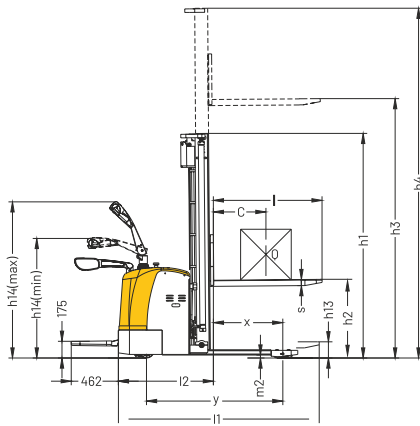
One Sided (Cold Store)



Two Sided (Cold Store)

Load Capacity Chart





Specifications and Dimensions

Model	Measurement	MS15XUX						
Load capacity/rated load	Q (kg)	1500						
Load centre distance	c (mm)	600						
Load distance, centre of drive axle to fork	x (mm)	672						
Wheelbase	y (mm)	1378						
Fork height, lowered	h13 (mm)	85						
Tyre size, front	mm	250x70						
Tyre size, rear	mm	80x84						
Additional wheels (dimensions)	mm	150x60						
Wheels, number front rear (x=driven wheels)		1x+2/4						
Height, mast lowered	h1 (mm)	1735	1985	2135	2235	2050	2410	2410
Free lift (option 2500–3500mm)	h2 (mm)	0	0	0	0	1570	1940	1940
Max. lift height	h3 (mm)	2500	3000	3300	3500	4500	5600	5600
Height, mast extended	h4 (mm)	2955	3455	3755	3955	5030	6110	6110
Height of tiller in drive position min./max.	h14 (mm)	1150/1450						
Overall length	l1 (mm)	2020/2100						
Length to face of forks	l2 (mm)	950						
Overall width	b1 (mm)	850						
Fork dimensions	s/e/l (mm)	60/180/1070 (1150)						
Width overall forks	b5 (mm)	570/695						
Aisle width for pallets 800x1200 lengthways	Ast (mm)	2515						
Turning radius	Wa (mm)	1655						
Drive motor power	kW	1.2						
Lift motor power	kW	3						
Sound level at the driver's ear according to DIN12503	dB (A)	70						
Travel speed, laden/unladen	Km/h	6.5/6.7						
Lift speed, laden/unladen	m/s	0.11/0.14						
Lowering speed, laden/unladen	m/s	0.12/0.12						
Battery voltage, nominal capacity K5	V/Ah	24/240			24/300 (option)			
Battery weight	Kg	220			260			
Battery dimensions l/w/h	mm	675x254x500			675x254x540 (option)			
Service weight (with battery)	Kg	1240/1270/1285/1490/1520/1560/1580 ¹						

MS15XUX Power Plug Type



A
Power Plug



F
Power Plug



G
Power Plug



I
Power Plug

About ElectroMech Lift Trucks

ElectroMech and Hyster-Yale® have entered into an agreement for the sales and service of the Yale® brand of forklifts and lift trucks in India, which is being provided through a dedicated company - ElectroMech Lift Trucks Pvt. Ltd. The ElectroMech Yale association benefits from the leadership position of ElectroMech in the Indian market and its dependable service support. It is further bolstered by the global technologies from Hyster-Yale®.

ElectroMech Lift Trucks Pvt. Ltd. is a 100% subsidiary of its parent company ElectroMech and, with state-of-the-art facilities, is solely dedicated to the lift truck business.



Corporate Office & Plant

ElectroMech Lift Trucks Pvt. Ltd.

Gat No. 316, At post Kasar Amboli,
Tal. Mulshi, Dist. Pune 412 115 INDIA

Telefax : +91-20-6654 2222

E-mail : yale@emech.in

Yale Pacific


1/23 Rowood Road, Prospect NSW 2145
Tel: +61 (2) 9795 3800 | Fax: +61 (2) 9792 8484

yale.com/pacific/en-au

Yale Asia

16 Tuas Avenue 20, Singapore 638827
Tel: +65 6863 3387 | Fax: +65 6863 3349

yale.com/asia/en-sg

© 2024 Hyster-Yale Group, Inc., all rights reserved. YALE and **Yale**  are trademarks of Hyster-Yale Group, Inc. Trucks may be shown with optional equipment and / or features not available in all regions.



www.emechiale.in